

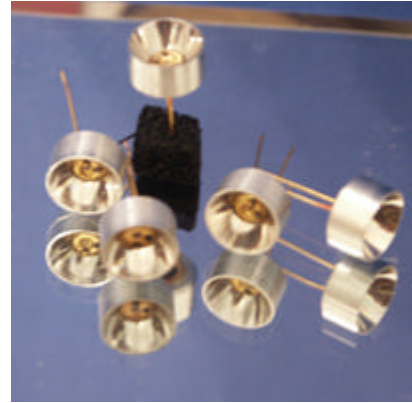
# LIGHT EMITTING DIODES 1.6÷4.6 μm

## Model LED43-PR 4.3 mm 10 mW

•Light Emitting Diodes **LED43-PR** are designed for emitting at a spectral range around 4300 nm. Heterostructures (HS) are grown on InAs substrates. The output emission can be modulated by current flowing in a forward direction.

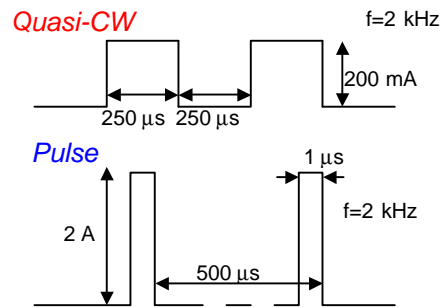
•Light Emitting Diodes **LED43-PR** are developed for using in optical gas sensors and medical diagnostics. They have stable output power and lifetime more then 10000 hours.

•Related products: our standard **LED Driver** provides power supply of **LED43-PR** in two recommended here regimes (Quasi-CW and Pulsed).



Parameters	Min	Typ	Max
Wavelength, μm	4.10	4.20	4.30
FWHM, μm	0.75	0.90	1.05
Optical Power, μW			
Quasi-CW @ 200 mA	8	10	12
Pulsed@1A	180	200	220
Switching Time, ns	10	30	50
Operating Temperature Range, °C	-240÷+50		
Emitting Area, μm	300x300		
Soldering temperature	260 °C		
Package	TO-18 with Parabolic Reflector		

Recommended regimes of operation



Package TO-18 with Reflector

