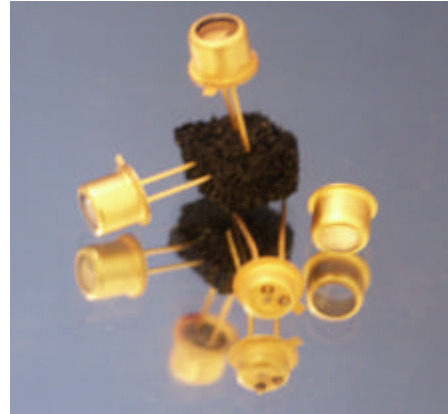


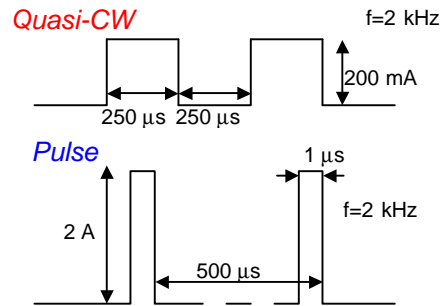
LIGHT EMITTING DIODES 1.6÷4.6 μm

Model LED36 3.6 mm 16 mW

- Light Emitting Diodes **LED36** are designed for emitting at a spectral range around 3600 nm. Heterostructures (HS) are grown on InAs substrates. The output emission can be modulated by current flowing in a forward direction.
- Light Emitting Diodes **LED36** are developed for using in optical gas sensors and medical diagnostics. They have stable output power and lifetime more then 10000 hours.
- Related products: Our standard **LED Driver** provides power supply of **LED36** in two recommended here regimes (Quasi-CW and Pulsed).



Recommended regimes of operation



Parameters	Min	Typ	Max
Wavelength, μm	3.50	3.60	3.70
FWHM, μm	0.60	0.70	0.80
Optical Power, μW			
Quasi-CW @ 200 mA	12	16	20
Pulsed@1A	180	200	220
Switching Time, ns	10	30	50
Operating Temperature Range, °C	-240÷+50		
Emitting Area, μm	300x300		
Soldering temperature	260 °C		
Package	TO-18		

