

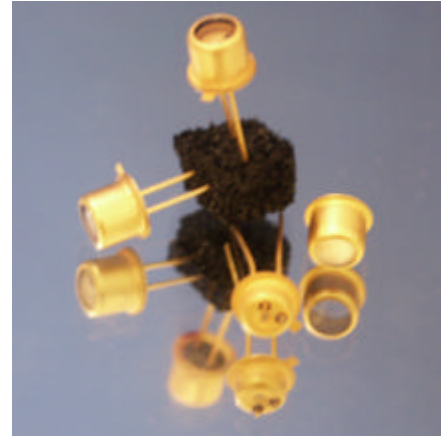
LIGHT EMITTING DIODES 1.6÷4.6 μm

Model LED18 1.85 mm 0.9 mW

•Light Emitting Diodes **LED18** are designed for emitting at a spectral range around 1850 nm. Heterostructures (HS) are grown on GaSb substrates. The output emission can be modulated by current flowing in a forward direction.

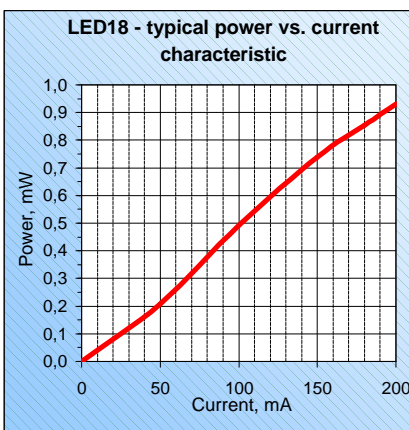
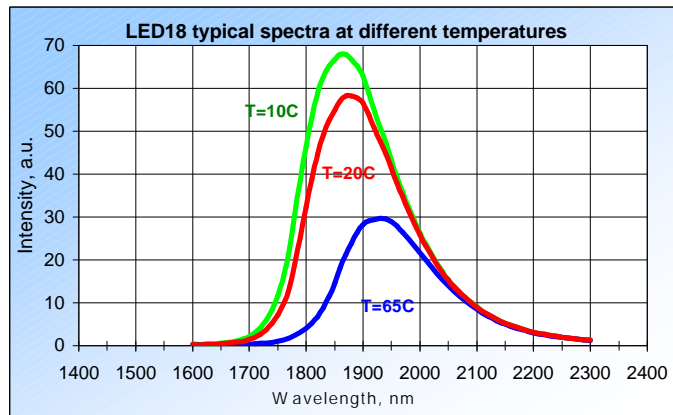
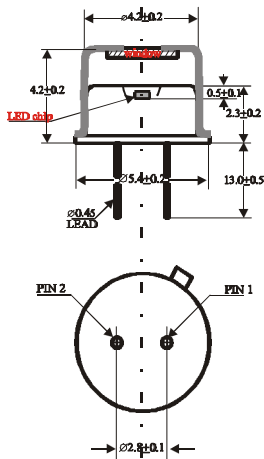
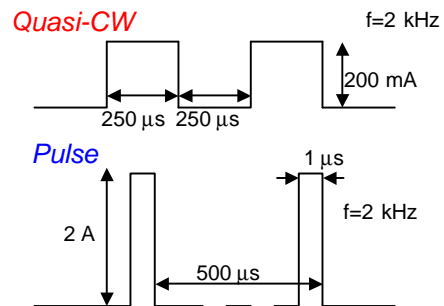
•Light Emitting Diodes **LED18** are developed for using in optical gas sensors and medical diagnostics. They have stable output power and lifetime more then 10000 hours.

•Related products: **LED18** can be used in optical pair with our photodiodes **PD24**. Our standard **LED Driver** provides power supply of **LED18** in two recommended here regimes (Quasi-CW and Pulsed).



Parameters	Min	Typ	Max
Wavelength, μm	1.80	1.85	1.89
FWHM, μm	0.15	0.20	0.25
Optical Power, mW			
Quasi-CW @ 200 mA	0.7	0.9	1.1
Pulsed@1A	15	20	25
Switching Time, ns	10	30	50
Operating Temperature Range, °C	-240÷+50		
Emitting Area, μm	300x300		
Soldering temperature	260 °C		
Package	TO-18		

Recommended regimes of operation



sales@NYPhotonics.com
www.NYPhotonics.com

